



Equipment for the Foodservice Industry

value + quality + service

## 24" DISHWASHER SINKS



SI824-3R-DW

(Sink on right when facing  
the dishwasher)



### 24" DISHWASHER SINKS

#### Features

#### Features:

- 18 gauge, Type 304 stainless steel construction for lasting durability
- Covered corners for safety and easy cleaning
- Die-stamped drain boards and sink bottoms for positive drainage
- Wall clips are provided for neat and easy installation
- All sinks come with 8" center pre-cut holes for standard wall mount faucets (faucet not included)
- 3.5" drain basket included
- Drainboard with bend-down hook
- All TIG welded
- Welded areas are blended to match adjacent surface and blended to a satin finish
- Gussets are welded to a die embossed reinforced plate
- Stainless steel legs with welded leg brace
- Specifications subject to change without notice.
- **Note:** Model number (L) left and (R) right pertains to looking at the front of the dishwasher, which is the side the sink goes on.

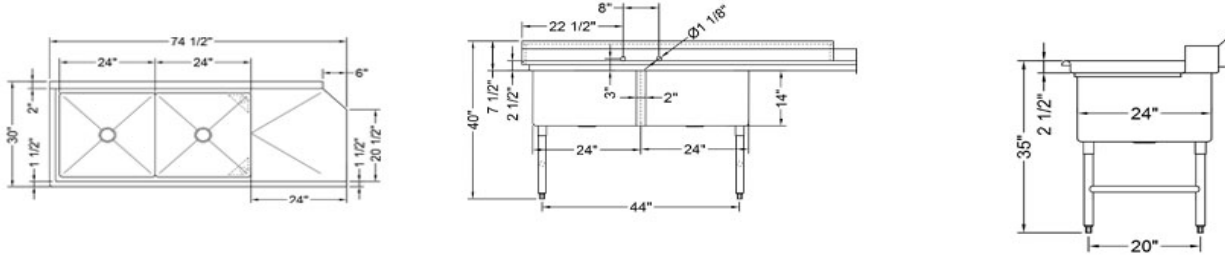
Product #	Bowls	Shipping Dimensions			Weight (lbs)	Overall Width	Drainboards	Required Faucets
		W"	D"	H"				
SI824-2L-DW	2	74.5	30	40	70.5	75"	1	1
SI824-2R-DW	2	74.5	30	40	70.5	75"	1	1
SI824-3L-DW	3	98.5	30	40	97.9	98.5"	1	2
SI824-3R-DW	3	98.5	30	40	97.9	98.5"	1	2



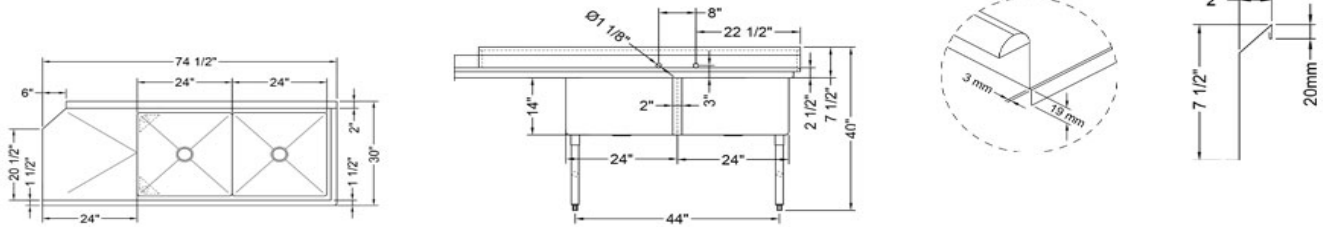
**24" DISHWASHER SINKS**

**Specifications**

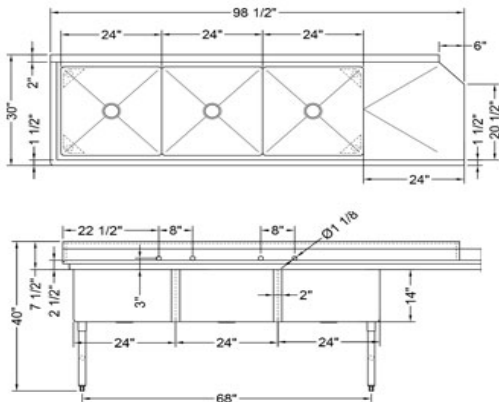
SI824-2L-DW DIMENSIONS



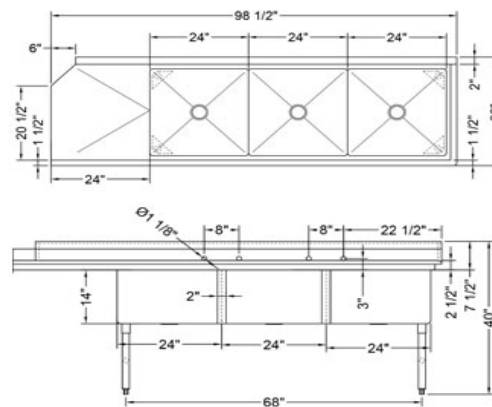
SI824-2R-DW DIMENSIONS



SI824-3L-DW DIMENSIONS

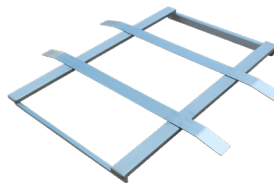


SI824-3R-DW DIMENSIONS



**DISH RACK SLIDE BAR (optional)**

Product #	Description
SI824-SB	Stainless Steel



**SCRAPPING BASKET (optional)**

Product #	Description
SI824-SCB	18 gauge, Type 304 stainless steel perforated pre-rinse drain basket 23.5"X23.5"X4"

