

GHP-2L/4L/6L

Heavy-Duty Stainless Steel Gas Hotplates



REL-GHP-2L



REL-GHP-4L



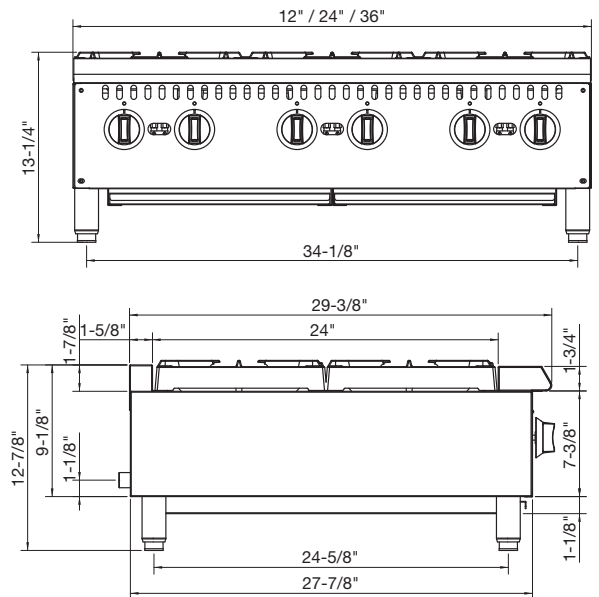
REL-GHP-6L

REL-GHP-2L-NG – 12" Gas Hotplate

REL-GHP-4L-NG – 24" Gas Hotplate

REL-GHP-6L-NG – 36" Gas Hotplate

- Stainless steel front and sides
- Octagonal cast iron burner, each 30,000 BTU/hr
- 12" x 12" (30x30cm) cast iron grate
- Standby S/S pilot for easy start
- Adjustable heavy duty legs
- Full width crumb tray at the bottom
- Durable brass control valve
- Easy access to pilot valve adjustment screws
- Easy gas conversion in field
- 3/4" NPT rear gas connection
- Shipped with gas regulator



Model	BTU/HR	Burner Qty	Dimensions (IN)	N/W (LB)	G/W (LB)
REL-GHP-2L-NG	60,000BTU	2	12 x 13.25 x 29.4	62	95
REL-GHP-4L-NG	120,000BTU	4	24 x 13.25 x 29.4	119	152
REL-GHP-6L-NG	180,000BTU	6	36 x 13.25 x 29.4	187	222

For complete information and specifications on all Reliant products, visit www.paragondirect.ca